

Oster®

For product questions contact:
Jarden Consumer Service

USA: 1.800.334.0759

www.oster.com

©2008 Sunbeam Products, Inc. doing business as Jarden Consumer Solutions.
All rights reserved. Distributed by Sunbeam Products, Inc. doing business as
Jarden Consumer Solutions, Boca Raton, Florida 33431.

Para preguntas sobre los productos llame:
Jarden Consumer Service

EE.UU.: 1.800.334.0759

www.oster.com

©2008 Sunbeam Products, Inc. operando bajo el nombre de
Jarden Consumer Solutions. Todos los derechos reservados.
Distribuido por Sunbeam Products, Inc. operando bajo el nombre de
Jarden Consumer Solutions, Boca Raton, Florida 33431.

Oster®

User Manual **Multi-use Rice Cooker
with steam tray**

Manual de Instrucciones **Arrocer á Riz Multi-usage
con bandeja para cocinar al vapor**

MODEL/
MODELO **4751**



IMPORTANT SAFEGUARDS

When using electrical appliances, basic safety precautions should always be followed, including the following:

READ AND SAVE THESE INSTRUCTIONS

- Make sure the voltage in your outlet is the same as the voltage indicated on the appliance's rating label.
- Do not touch hot surfaces. Use potholders when removing cover or handling hot containers to avoid steam burns.
- To protect against risk of electric shock, do not immerse the cord, plug or cooking unit in water or any other liquid.
- Extreme caution must be exercised when any appliance is used near children.
- Unplug from wall outlet when not in use and before cleaning. Allow to cool before cleaning or storing this appliance.
- Never yank the cord to disconnect the cooking unit from the outlet. Instead, grasp the plug and pull to disconnect.
- Do not operate any appliance if the cord is damaged. Do not use this appliance if the unit malfunctions, if it is dropped or has been damaged in any manner. In order to avoid the risk of an electric shock, never try to repair the appliance yourself. Take it to an authorized service station for examination and repair.
- The use of accessories or attachments not recommended by the manufacturer may cause fire, electrical shock or injury.
- Do not use outdoors or for commercial purposes.
- Do not use this appliance for purposes other than the one for which it was designed.
- Do not let the electrical cord hang over the edge of the table or countertop, or touch hot surfaces.
- Do not operate appliance while empty.
- Do not place on or near a hot gas or electric burner or heated oven.
- Use extreme caution when moving any appliance containing hot food, water, oil or other liquids.
- Do not operate this appliance without the Lid in place on the unit. Steam is generated during use.
- Lift and open cover carefully to avoid scalding and allow water to drip into the Inner Pot.
- To disconnect, remove plug from outlet. Always unplug after use.
- **CAUTION:** This appliance generates steam during use. Proper precautions must be taken to prevent the risk of burns, fire or other damage to persons or property.

DO NOT IMMERSE THE HEATING BODY OF THE RICE COOKER IN WATER OR ANY OTHER LIQUID

THIS UNIT IS FOR HOUSEHOLD USE ONLY

This appliance has a polarized alternating current plug (one blade is wider than the other). To reduce the risk of electric shock, as a safety feature, this plug will fit in a polarized outlet only one way. If the plug does not insert fully in the outlet, reverse the plug. If it still fails to fit, contact a qualified electrician. **DO NOT ATTEMPT TO DEFEAT THIS SAFETY FEATURE.**

EXTENSION CORD USE

A short power-supply cord is provided to reduce the risk resulting from becoming entangled in or tripping over a longer cord. An extension cord may be used if care is exercised in its use. If an extension cord is used, the electrical rating of the cord must be at least as great as the electrical rating of the appliance. The extension cord should be arranged so that it will not drape over the countertop or tabletop where it can be pulled on by children or tripped over unintentionally.

SAVE THESE INSTRUCTIONS

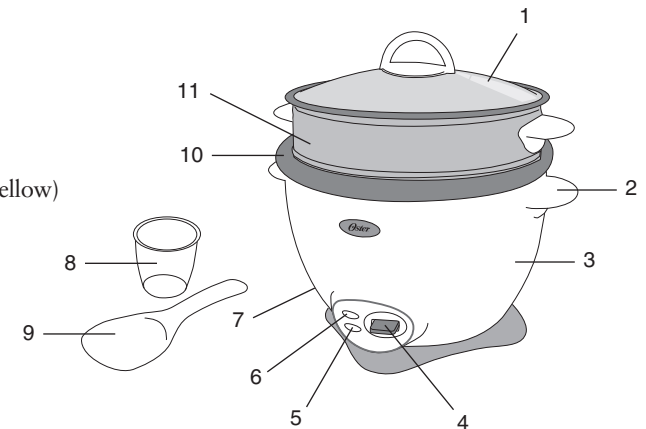
WELCOME

Congratulations on your purchase of an OSTER® Multi-Use Rice Cooker! To learn more about OSTER® products, please visit us at www.oster.com.

PARTS IDENTIFICATION

Before using your Rice Cooker for the first time, you should become familiar with all of the parts. Read all Instructions and Safeguards carefully.

1. Glass Lid
2. Handle
3. Heating Body
4. On-Switch Button
5. Cook Light (red)
6. Keep Warm Light (yellow)
7. Power Cord
8. Measuring Cup
9. Paddle
10. Inner Pot
11. Steaming Tray



USING YOUR OSTER® MULTI-USE RICE COOKER

PREPARING YOUR RICE COOKER

- Remove any labels or stickers from appliance.
- Thoroughly wash Glass Lid, Inner Pot, Paddle, Steaming Tray and Measuring Cup in warm, soapy water before first use, then rinse and dry carefully.

USING YOUR MULTI-USE RICE COOKER

1. Make sure appliance is unplugged.
2. Measure raw rice for desired amount with the Measuring Cup (160 ml) provided.
3. Add rice to inner pot. One cup of the uncooked rice will make about two cups of cooked rice. Unit allows for a maximum of 7 cups (1.2 L) uncooked rice.
4. By using the Measuring Cup, add proper amount of water to the rice inside the Inner Pot (for every cup (160ml) of raw rice, add 1-1/2 cups of water). For stickier rice, add slightly more water. For fluffier rice, use slightly less water.
5. Set the Inner Pot into the Rice Cooker. Make sure that the Inner Pot sits directly in contact with the heating plate by turning it slightly from right to left until it is seated properly. Cover with Lid. **DO NOT OPERATE THIS APPLIANCE UNCOVERED. STEAM IS GENERATED DURING USE.**
6. Plug the Power Cord into an electrical outlet. Activate the Rice Cooker by pushing down on the On-Switch Button. Make sure the Cook Light (red) is on.
7. After 15 minutes, stir rice. Lift and remove the Lid carefully to avoid scalding and allow water to drip into the Inner Pot. Use the Paddle or another long handheld utensil to scoop and stir rice. After stirring, cover the Inner Pot with the Lid.
8. When your rice is cooked, the Rice Cooker will automatically switch to the warm function and the Keep Warm Light (yellow) will turn on. The Rice Cooker will keep the rice warm until the unit is disconnected from the wall outlet.
9. The Rice Cooker will automatically keep rice warm at 140°F – 175°F (60°C – 80°C).
10. When the rice temperature dips below this range, the yellow Keep Warm Light will turn off and the red Cook Light will turn on indicating that the heat preservation process has begun. When the rice temperature reaches 140°F, the Keep Warm Light (yellow) will once again turn on and the Cook Light (red) will turn off.
11. Allow the appliance to cool completely before cleaning. Disconnect the plug from the wall outlet when not in use.

RICE AND GRAIN

There are numerous varieties of rice depending upon region of origin and use. Please refer to the chart on the next page for preparing different varieties of rice:

TYPE OF RICE	AMOUNT OF RICE	AMOUNT OF WATER
BASMATI / INDIAN FIRM	1 CUP	1-1/2 CUPS
BROWN VARIATIONS	1 CUP	2 CUPS & 2 TBSP.
SUSHI / SHORT GRAIN	1 CUP	1 CUP
JASMINE / LONG GRAIN	2 CUPS	1 CUP
RISOTTO	3 CUPS	1 CUP

NOTES:

Wash the rice in a separate bowl, prior to cooking, if desired. For softer rice, we suggest preparing rice and water in the Inner Pot and letting soak for 10 – 20 minutes before cooking.

INSTRUCTIONS TO REHEAT RICE

- To reheat cold rice, add 1/4 cup (4 Tbsp.) of cold water per cup of cooked rice, stir to mix, then press down on the On-Switch Button to start cooking.
- When rice is warm, the Rice Cooker will automatically switch to the keep warm function.

USING THE STEAMING TRAY

Steam cooking vegetables retains more nutrients than boiling or baking, while preserving the bright, natural color.

1. Prepare vegetables by washing, peeling and then cutting into smaller sized pieces.
2. Make sure the unit is unplugged.
3. Fill the Inner Pot with the appropriate amount of water. (See Chart)
4. Set the Inner Pot into the heating body. Make sure that the Inner Pot sits directly in contact with the heating plate.
5. Place vegetables in the Steaming Tray and position the Tray on top of the Inner Pot. Cover with Lid. **DO NOT OPERATE THIS UNIT UNCOVERED. STEAM IS GENERATED DURING USE.**
6. Plug the Power Cord into a wall outlet. Activate the Rice Cooker by pushing down the On-Switch Button. Make sure the red Cook Light is on.
7. Time the cooking manually according to the chart on next page. The unit will automatically switch to the keep warm cycle once all the water evaporates. If all the water evaporates and you wish to extend the cooking cycle, add more water.
8. Once the vegetables have been steamed according to your personal preference, remove the Steamer Tray from the Rice Cooker.
9. Disconnect from the wall outlet and allow the unit to cool completely before cleaning.

TYPE OF VEGETABLE	AMOUNT OF VEGETABLE	AMOUNT OF WATER	APPROX. TIME (MINUTES)
GREEN BEANS	10 OUNCES/ 300G	1/3 CUP / 50 ML	30 – 35
BROCCOLI	10 OUNCES/ 300G	1/3 CUP / 50 ML	30 – 35
CARROTS (SLICED)	8 OUNCES/ 200G	1/3 CUP / 50 ML	30 – 35
CAULIFLOWER	8 OUNCES/ 200G	1/3 CUP / 50 ML	30 – 35
CORN (KERNEL)	10 OUNCES/ 300G	1/3 CUP / 50 ML	40 – 45
PEAS	10 OUNCES/ 300G	1/3 CUP / 50 ML	30 – 35
SPINACH	5 OUNCES/ 150G	1/3 CUP / 50 ML	20 – 30
MIXED VEGETABLES	10 OUNCES/ 300G	1/3 CUP / 50 ML	30 – 35

NOTE:

These times are approximate. It is recommended that you monitor the steaming process and adjust the cooking time according to your preference. Stir vegetables occasionally during the cooking process. When cooking rice, steaming times may vary.

CARE AND CLEANING

This appliance should be cleaned after every use

- Unplug the Rice Cooker from the wall outlet when not in use or before cleaning. Never immerse the Heating Body in water or any other liquid! Allow the Rice Cooker to cool completely before cleaning.
- Do not use abrasive cleaners, scouring pads or steel wool to clean the Rice Cooker.
- Heating Body: lightly wipe the exterior with a damp cloth or sponge. **DO NOT IMMERSE HEATING BODY INTO WATER OR ANY OTHER LIQUID.** Dry thoroughly with a soft cloth.
- Inner Pot: fill with hot water and let sit for a while and then wash with hot, soapy water using a sponge and dry thoroughly with a cloth or use dishwasher.
- Lid, Measuring Cup, Paddle and Steaming Tray: wash in warm, soapy water. Rinse thoroughly and dry or use dishwasher. **CAUTION:** handle the Lid with extreme care, as it may become slippery when wet.
- Heating plate: grains of rice or other foreign matter may stick to the heating plate. These must be removed to prevent inadequate cooking. To remove cooked rice, smooth sandpaper can be used. Smooth out and polish the spot for good contact between the heating plate and the bottom of the Inner Pot.
- There are no user serviceable parts inside this appliance. Do not attempt to repair this appliance yourself as you could render it dangerous to use.

RECIPES

SPANISH RICE

- 1/2 lb. (250g) of sausage (chorizo)
- 1 medium onion
- 1 tbsp. yellow pepper, ground
- 1 tsp. paprika
- 2 cups tomatoes, diced, without skin or seeds
- 1 cup green peas
- 1 red pepper, diced
- 2 celery stalks, sliced
- 1 green pepper, diced
- 2 cups long-grain rice
- 3 cups chicken broth
- Salt and pepper

Chop the onion. In the Oster® Multi-Use Rice Cooker, sauté the sausage cut in slices, add onion, yellow pepper, paprika and tomatoes. Mix together. Add the remaining vegetables, the rice and the broth. Check seasoning, cover and cook until done. Garnish with curly parsley. Serve hot.

FETTUCINI WITH APPLE, SHRIMP AND CURRY SAUCE

- 1/2 lb. (1/4 kg) fettucini
- 4 tbsps. butter
- 3 tbsps. flour
- 1 tsp. curry
- 1/2 cup cream
- 1 cup chicken broth
- 2 cups apples, peeled and diced
- 1 lb. (1/2kg) shrimp
- Parmesan cheese to taste
- Juice of one lemon (for the apples)

In the Oster® Multi-Use Rice Cooker, melt butter, add flour and curry. Cook for 2 minutes. Add cream, chicken broth, apples and shrimp. Stir until thickened. Remove from Rice Cooker and keep hot. Then in the Oster® Multi-Use Rice Cooker, pour sufficient water and salt to cook fettucini al dente. Serve the fettucini with the sauce and sprinkle with Parmesan cheese.

RICE WITH SHELLFISH

- 1 package (16 oz or 400 g) saffron rice
- 12 small clams
- 1/2 lb (250 g) shrimp, shelled and deveined, with or without tails
- 1/2 lb (250 grams) oysters
- 1 cup sweet peas
- 1/4 red pepper, diced

Wash clams, shucking thoroughly, and rinse well. Cook rice in the Oster® Multi-Use Rice Cooker, following the instructions on the package. Add clams, shrimp, oysters, sweet peas and red pepper five minutes before the rice is fully cooked. Mix well, without stirring. Serve with French bread croutons and a fresh salad. Option: The saffron rice may be substituted with brown rice.

RECIPES

MILANESE MINISTRONE

1 lb. (½ kg) chicken breast	2 cloves garlic, chopped
1 tbsp. basil	½ cup celery
½ cup fresh beans	½ tsp. thyme
½ tsp. oregano	½ cup onions, sliced
½ cup green pepper, chopped	½ cup mushrooms, sliced
½ cup squash, diced	2 cups tomatoes, diced, without skins or seeds
3 medium potatoes, peeled and diced	1 lb. (½ kg) fine noodles
2 tsps. of Worcestershire sauce	1 cup Parmesan cheese
3 tbsps. margarine	2 quarts water
Salt	

In the Oster® Multi-Use Rice Cooker, pour water and boil chicken with the salt. When chicken is cooked, remove and dice. Reserve the broth. In the Oster® Multi-Use Rice Cooker, melt butter, add garlic, onion, celery, green pepper, mushrooms, beans and squash. Sauté until soft. Add the tomatoes, then the potatoes and sauté for 5 more minutes. Add this mixture to the chicken broth, add Worcestershire sauce, the herbs bouquet (basil, thyme, oregano), salt, chicken and noodles. Cook 10 minutes until the potatoes are cooked, but firm. Add Parmesan cheese while stirring. Cook 2 minutes longer. Serve and sprinkle with more cheese.

RICE WITH CHICKEN

2 lb rice	1 onion
3 green peppers	2 carrots
4 cloves garlic	celery to taste
4 chicken breasts	3 tbsps. salt
black pepper to taste	oregano to taste
chicken broth, 1 envelope	tomato paste

Cook the chicken in water, salt, black pepper, oregano, chicken broth in the Oster® Multi-Use Rice Cooker. When done, shred the chicken in the water in which it was cooked and add green peppers, onion, garlic, celery and carrots, everything well chopped. Cook 10 minutes, and add tomato paste and shredded chicken. After the sauce is cooked, add the uncooked, washed rice and cover the rice somewhat more than normal.

RECIPES

RICE AND TUNA SALAD

2 cups cooked rice	2 peppers in vinegar*
1 can tuna	3½ oz. (100g) green olives
3 hard-boiled eggs	Mayonnaise
Salt and pepper	Lettuce leaves
Olive oil	Vinegar

Cook the rice in the Oster® Multi-Use Rice Cooker in the traditional manner, remove and place on a platter until it is completely cool. Dice the cooked peppers and slice the eggs. Shred the tuna and add along with the remaining ingredients to the rice, reserving some of the egg slices and olives to garnish the salad. Season with olive oil, salt, pepper and vinegar. Serve the salad on a platter with lettuce leaves and garnish with hard-boiled egg and olives.

* Peppers in vinegar: wash and cut the peppers in two lengthwise. Remove the seeds and cook the peppers in a saucepan with two cups water and one-half cup vinegar with a pinch of salt. After 15 minutes, remove from heat.

RICE PUDDING

1 cup rice	3 cups water
1 cinnamon stick	2 whole cloves
1¾ cup evaporated milk	1¼ cup condensed milk
1 tsp. grated lemon and orange peel	½ cup dark raisins
1 tsp. vanilla	¼ cup grape brandy
1 egg yolk	Powdered cinnamon

In the Oster® Multi-Use Rice Cooker, cook the pre-washed rice with 3 cups of water, cinnamon stick and cloves. Once the rice is cooked, add evaporated and condensed milk, grated lemon and orange peel, and raisins. Continue stirring until set. Add vanilla, grape brandy and the egg yolk well beaten. Sprinkle with cinnamon and serve.

One-Year Limited Lifetime Warranty

Sunbeam Products, Inc. doing business as Jarden Consumer Solutions or if in Canada, Sunbeam Corporation (Canada) Limited doing business as Jarden Consumer Solutions (collectively “JCS”) warrants that for a period of one year from the date of purchase, this product will be free from defects in material and workmanship. JCS, at its option, will repair or replace this product or any component of the product found to be defective during the warranty period. Replacement will be made with a new or remanufactured product or component. If the product is no longer available, replacement may be made with a similar product of equal or greater value. This is your exclusive warranty. Do NOT attempt to repair or adjust any electrical or mechanical functions on this product. Doing so will void this warranty.

This warranty is valid for the original retail purchaser from the date of initial retail purchase and is not transferable. Keep the original sales receipt. Proof of purchase is required to obtain warranty performance. JCS dealers, service centers, or retail stores selling JCS products do not have the right to alter, modify or any way change the terms and conditions of this warranty.

This warranty does not cover normal wear of parts or damage resulting from any of the following: negligent use or misuse of the product, use on improper voltage or current, use contrary to the operating instructions, disassembly, repair or alteration by anyone other than JCS or an authorized JCS service center. Further, the warranty does not cover: Acts of God, such as fire, flood, hurricanes and tornadoes.

What are the limits on JCS’s Liability?

JCS shall not be liable for any incidental or consequential damages caused by the breach of any express, implied or statutory warranty or condition.

Except to the extent prohibited by applicable law, any implied warranty or condition of merchantability or fitness for a particular purpose is limited in duration to the duration of the above warranty.

JCS disclaims all other warranties, conditions or representations, express, implied, statutory or otherwise.

JCS shall not be liable for any damages of any kind resulting from the purchase, use or misuse of, or inability to use the product including incidental, special, consequential or similar damages or loss of profits, or for any breach of contract, fundamental or otherwise, or for any claim brought against purchaser by any other party.

Some provinces, states or jurisdictions do not allow the exclusion or limitation of incidental or consequential damages or limitations on how long an implied warranty lasts, so the above limitations or exclusion may not apply to you.

This warranty gives you specific legal rights, and you may also have other rights that vary from province to province, state to state or jurisdiction to jurisdiction.

How To Obtain Warranty Service

In the U.S.A.

If you have any question regarding this warranty or would like to obtain warranty service, please call 1-800-334-0759 and a convenient service center address will be provided to you.

In Canada

If you have any question regarding this warranty or would like to obtain warranty service, please call 1-800-667-8623 and a convenient service center address will be provided to you.

In the U.S.A., this warranty is offered by Sunbeam Products, Inc. doing business as Jarden Consumer Solutions located in Boca Raton, Florida 33431. In Canada, this warranty is offered by Sunbeam Corporation (Canada) Limited doing business as Jarden Consumer Solutions, located at 20 B Hereford Street, Brampton, Ontario L6Y 0M1. If you have any other problem or claim in connection with this product, please write our Consumer Service Department.

PLEASE DO NOT RETURN THIS PRODUCT TO ANY OF THESE ADDRESSES OR TO THE PLACE OF PURCHASE.

PRECAUCIONES IMPORTANTES

Cuando use algún artefacto eléctrico, siempre deben seguirse precauciones básicas de seguridad, incluyendo las siguientes:

LEA TODAS LAS INSTRUCCIONES

- Asegúrese que el voltaje en su tomacorriente sea la misma que el voltaje indicado en la placa del artefacto.
- No toque las superficies calientes. Cuando quite la tapa o manipule contenedores calientes, use agarraderas resistentes al calor para evitar quemaduras del vapor.
- Para protegerse contra descargas eléctricas, no sumerja el cable, el enchufe o la unidad de cocción en agua o cualquier otro líquido.
- Extrema precaución debe ser ejercida cuando cualquier artefacto es utilizado cerca de niños.
- Desconecte del tomacorriente cuando no está en uso o antes de limpiarlo. Permita que se enfríe antes de limpiar o guardar el artefacto.
- Nunca tire del cable para desconectar la unidad de cocción del tomacorriente. Más bien, agarre el enchufe y hale para desconectar.
- No opere ningún artefacto si el cable está dañado. No use el artefacto si no funciona bien, si se ha caído o haya sido dañado de alguna forma. Para evitar el riesgo de descarga eléctrica, nunca trate de repararlo usted mismo.
- El uso de accesorios o aditamentos que no sean los recomendados por el fabricante pudiera causar incendio, descarga eléctrica o lesiones personales.
- No lo use a la intemperie o para propósitos comerciales.
- No use este artefacto con propósitos diferentes a los cuales fue diseñado.
- No permita que el cable eléctrico cuelgue del borde de la mesa o del mostrador, o toque superficies calientes.
- No opere el artefacto cuando esté vacío.
- No coloque el artefacto sobre o cerca de una hornilla caliente de gas o eléctrica, ni dentro de un horno caliente.
- Use solamente sobre superficies planas y resistentes al calor.
- Tenga extrema precaución cuando mueva un artefacto que contenga alimentos calientes, agua, aceite u otros líquidos calientes.
- No opere este artefacto sin la Tapa en su lugar sobre la unidad. El vapor se genera durante su uso.
- Levante y abra la tapa cuidadosamente para evitar quemarse y permita que el agua escurra dentro de la olla interior.
- Para desconectar, remueva el enchufe del tomacorriente. Siempre desenchufe después de utilizarlo.
- PRECAUCION: Este artefacto genera vapor durante su uso. Precauciones apropiadas deben tomarse para prevenir riesgos de quemaduras, incendio u otros daños tanto personales como materiales.

¡NO SUMERJA LA PARTE QUE CALIENTE DE SU ARROCERA EN AGUA NI UN NINGUN OTRO LIQUIDO!

ESTE UNIDAD ES SÓLO PARA USO DOMÉSTICO

Este artefacto tiene un enchufe polarizado (una clavija es más ancha que la otra). Para reducir el riesgo de descarga eléctrica, como elemento de seguridad, este enchufe encaja en un tomacorriente polarizado en una sola dirección. Si el enchufe no cabe completamente en el tomacorriente, invierta el enchufe. Si todavía no entra, contacte un electricista calificado. **NO INTENTE MODIFICAR ESTE ELEMENTO DE SEGURIDAD.**

USO DE CABLE DE EXTENSIÓN

A short power-supply cord is provided to reduce the risk resulting from becoming entangled in or tripping over a longer cord. An extension cord may be used if care is exercised in its use. If an extension cord is used, the electrical rating of the cord must be at least as great as the electrical rating of the appliance. The extension cord should be arranged so that it will not drape over the countertop or tabletop where it can be pulled on by children or tripped over unintentionally.

GUARDE ESTAS INSTRUCCIONES

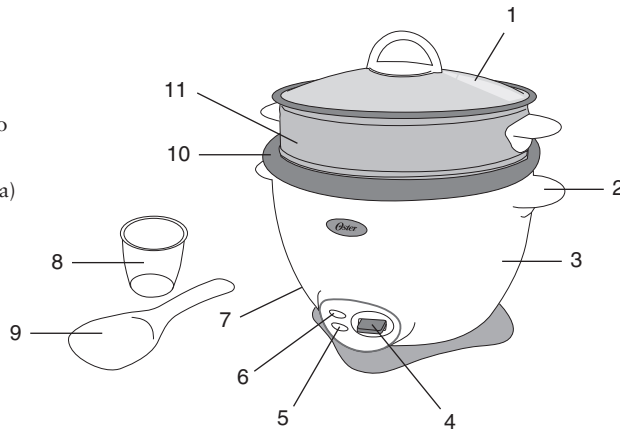
BIENVENIDOS

Felicitaciones por su compra de la Cuiseur á Riz á multi-usage OSTER®! Para conocer más acerca de los productos OSTER® por favor visítenos en www.oster.com.

IDENTIFICACIÓN DE LAS PARTES

Antes de usar su Vaporera de Alimentos por primera vez, usted debe familiarizarse con todas las partes. Lea todas las instrucciones y precauciones detenidamente.

1. Tapa de Vidrio
2. Asas
3. Cuerpo Calefactor
4. Interruptor de Encendido
5. Luz de Cocción (roja)
6. Luz de Calentar (amarilla)
7. Cordón Eléctrico
8. Taza Medidora
9. Cucharón
10. Olla Interior
11. Bandeja para Cocinar al Vapor



UTILIZANDO SU CUISEUR Á RIZ Á MULTI-USAGE OSTER®

PREPARANDO SU VAPORERA DE ALIMENTOS

- Quite cualquier etiqueta del aparato.
- Antes del primer uso, lave muy bien con agua tibia y jabonosa la Tapa de Vidrio, la Olla Interior, el Cucharón, la Bandeja para Cocinar al Vapor y la Taza Medidora de acuerdo. Después enjuague y seque cuidadosamente.

USANDO SU CUISEUR Á RIZ Á MULTI-USAGE

1. Asegúrese de que la Arrocera esté desconectada del tomacorriente.
2. Mida la cantidad deseada de arroz crudo con la taza graduada que se incluye de 160ml. que viene con la Arrocera.
3. Agregue arroz a la olla interior. Una taza de arroz crudo producirá alrededor de dos tazas de arroz cocido. La Unidad permite hasta un máximo de 7 tazas (1.2 L) de arroz crudo.
4. Con la ayuda de la Taza Medidora, agregue la cantidad correcta de agua al arroz dentro de la Olla Interior (por cada taza (160ml.) de arroz crudo, agregue 1,25 tazas de agua). Para un arroz más mojadito (pegajoso), agregue un poco más de agua. Para un arroz más suelto (esponjoso), use menos agua.
5. Coloque la Olla Interior del artefacto. Asegúrese de que ésta hace contacto con el Plato Calefactor, girándola ligeramente de derecha a izquierda hasta que esté colocada correctamente. Cubra con la tapa. **NO OPERE ESTE ARTEFACTO SIN QUE ESTÉ CUBIERTO CON LA TAPA. EL VAPOR SE GENERA DURANTE EL USO.**
6. Conecte el Cable eléctrico. Encienda la Arrocera presionando el Interruptor de Encendido hacia abajo. Verifique que la Luz de Cocción (roja) esté iluminada.
7. Después de 15 minutos mezcle el arroz. Levante y abra la Tapa cuidadosamente para evitar quemarse y deje que el agua gotee hacia la Olla Interior. Use el Cucharón o cualquier otro utensilio con un mango largo para mezclar el arroz. Después de mezclar, cubra la Olla Interior con la Tapa.
8. Cuando el arroz ya esté cocido, la Arrocera automáticamente cambiará a la función de calentar y la Luz de Calentar (amarilla) se iluminará. La Arrocera permanecerá calentando hasta que la unidad sea desconectada del tomacorriente.
9. La Arrocera mantendrá el arroz caliente a una temperatura de 140°F – 175°F (60°C – 80°C) automáticamente.
10. Cuando la temperatura del arroz baje de este rango, la Luz de Calentar (amarilla) se apagará y la Luz de Cocción (roja) se encenderá indicando que ha iniciado el proceso de conservación de calor. Cuando la temperatura del arroz alcanza 140°F, la luz amarilla se iluminará nuevamente y la Luz de Cocción (roja) se apagará.
11. Permita que el aparato se enfríe completamente antes de limpiar. Desconecte la Arrocera del tomacorriente cuando no la esté utilizando.

ARROZ Y GRANOS

Existe una numerosa variedad de arroz dependiendo de la región de origen y su uso. Por favor referirse al cuadro de abajo para preparar diferentes variedades de arroz:

TIPO DE ARROZ	CANTIDAD DE ARROZ	CANTIDAD DE AGUA
BASMATI / INDIAN FIRM (ARROZ DE GRANO LARGO)	1 TAZA	1-1/2 TAZAS
VARIETADES DE ARROZ MARRÓN	1 TAZA	2 TAZAS & 2 CDAS.
SUSHI /GRANO CORTO	1 TAZA	1 TAZA
JASMINE / GRANO LARGO	2 TAZAS	1 TAZA
RISOTTO	3 TAZAS	1 TAZA

NOTA:

Lave el arroz en un tazón por separado si así lo desea. Para un arroz más suave, sugerimos que prepare el arroz y el agua en la Olla Interior y déjelo remojando de 10 a 20 minutos antes de cocinar.

INSTRUCCIONES PARA RECALENTAR EL ARROZ

- Para recalentar arroz frío, agregue 1/4 de taza (4 cucharadas) de agua fría por cada taza de arroz, revuelva y mezcle, después presione el Interruptor de Encendido para cocinar.
- Cuando el arroz esté caliente, la Arrocera automáticamente cambiará a la función de calentar.

CÓMO USAR LA BANDEJA PARA COCINAR A VAPOR

Los vegetales cocinados al vapor retienen mucho más los nutrientes que los vegetales hervidos o cocidos y además conservan su color natural.

1. Prepare los vegetales, lávelos bien, pélelos y córtelos en trozos pequeños.
2. Asegúrese de que la Arrocera esté desconectada del tomacorriente.
3. Llene la Olla Interior con la cantidad de agua recomendada (Ver la Tabla).
4. Coloque la Olla Interior dentro del Cuerpo Calefactor. Asegúrese de que la Olla Interior haga contacto con el plato calefactor.
5. Coloque los vegetales en la Bandeja para Cocinar a Vapor y coloque la Bandeja encima de la Olla Interior. Cubra con la Tapa. **NO OPERE ESTE ARTEFACTO SIN QUE ESTÉ CUBIERTO CON LA TAPA. EL VAPOR SE GENERA DURANTE EL USO.**
6. Conecte la unidad al tomacorriente. Encienda la Arrocera presionando el Interruptor hacia abajo. Verifique que la Luz de Cocción (roja) esté iluminada.
7. Controle manualmente el tiempo de cocción de acuerdo al siguiente cuadro. La unidad pasará automáticamente al ciclo de mantener caliente al evaporarse toda el agua. Si toda el agua llega a evaporarse y usted desea los alimentos más cocidos, agregue más agua.
8. Una vez que los vegetales estén cocidos remueva la Bandeja para Cocinar al Vapor (modelo 4731 solamente) de la Olla Interior.
9. Desconecte la Arrocera del tomacorriente y permita que se enfríe completamente antes de limpiar.

TIPO DE VEGETAL	CANTIDAD DE VEGETALES	CANTIDAD DE AGUA	TIEMPO APROX. (MINUTOS)
FRIJOLOS VERDES	10 ONZAS/ 300G	1/3 TAZA / 50 ML	30 – 35
BRÓCULI	10 ONZAS/ 300G	1/3 TAZA / 50 ML	30 – 35
ZANAHORIA (EN RUEDITAS)	8 ONZAS/ 200G	1/3 TAZA / 50 ML	30 – 35
COLIFLOR	8 ONZAS/ 200G	1/3 TAZA / 50 ML	30 – 35
MAÍZ (E GRANO ENTERO)	10 ONZAS/ 300G	1/3 TAZA / 50 ML	40 – 45
ARVEJAS	10 ONZAS/ 300G	1/3 TAZA / 50 ML	30 – 35
ESPINACAS	5 ONZAS/ 150G	1/3 TAZA / 50 ML	20 – 30
VEGETALES MIXTOS	10 ONZAS/ 300G	1/3 TAZA / 50 ML	30 – 35

NOTA:

Estos tiempos son aproximados. Es recomendable que usted supervise el proceso de cocción al vapor y ajuste los tiempos de acuerdo a su preferencia. De vez en cuando, revuelva los vegetales durante el proceso de cocción. Al cocinar el arroz, el tiempo para cocer al vapor puede variar.

CUIDADO Y LIMPIEZA

Limpie la Arrocera después de cada uso.

- No use limpiadores abrasivos, esponjas de metal o lana para limpiar la Arrocera.
- Cuerpo Calefactor: limpie ligeramente el exterior con un paño o esponja húmedos. ¡No sumerja el Cuerpo Calefactor en agua o en ningún otro líquido! Seque bien con un paño suave.
- Olla Interior: llene con agua caliente y permita que esté así un tiempo, después lave con agua caliente jabonosa y una esponja; seque bien con un paño. También puede lavarse en lavaplatos.
- Lave la Tapa, Taza de Medir, Cucharón y Bandeja de Vapor con agua jabonosa tibia. Enjuague bien y seque o use lavaplatos eléctrico. **PRECAUCIÓN:** manipule la Tapa con extremo cuidado, ya que se puede resbalar cuando está mojada.
- Plato Calefactor: granos de arroz y otros objetos extraños pueden pegarse al plato calefactor. Estos deben ser removidos para prevenir un funcionamiento inadecuado al cocinar. Para remover arroz cocido, un papel con lija suave puede usarse. Suavice y elimine los residuos para que la Olla Interior y el plato calefactor estén en contacto al cocinar.
- No hay partes que usted pueda reparar dentro de la Arrocera. No intente reparar este electrodoméstico ya que puede ser peligroso.

RECETAS

ARROZ A LA ESPAÑOLA

½ lb. (250g) de chorizo	1 cebolla mediana
1 cucharada de ají amarillo molido	1 cucharadita de pimentón
2 tazas de tomates picados, sin piel ni semillas	1 taza de arvejas
1 pimiento rojo cortado en cuadritos	

Corte la cebolla. Sofría en la Arrocera Multi-Usos Oster® el chorizo en rueditas, agregue la cebolla, el ají amarillo, paprika y los tomates. Mezclar homogéneamente. Incorporar el resto de los vegetales, el arroz y el caldo, verificar la sazón, tapar y dejar cocinar hasta que esté listo. Decorar con perejil fresco. Servir caliente.

FETTUCINI EN SALSA DE MANZANAS, CAMARONES Y CURRY

½ lb. (¼ kg) fettucini	4 cdas. de mantequilla
3 cdas. de harina	1 cdita. de curry
½ taza de crema	1 taza de caldo de pollo
2 tazas de manzanas, peladas y en cuadritos	1 lb. (½ kg.) camarones
Queso Parmesano al gusto	Jugo de un limón (para las manzanas)

En la Arrocera Multi-Usos Oster®, derretir la mantequilla, agregar la harina y el curry. Cocer por 2 minutos. Agregar la crema de leche, el caldo de pollo, las manzanas y los camarones. Mover hasta que espese. Retire de la Arrocera y manténgalo caliente. Vierta suficiente agua y sal en la Arrocera Multi-Usos Oster® para cocinar los fettuccini al dente. Servir el fettucini con salsa y espolvorear con abundante queso parmesano.

ARROZ CON MARISCOS

1 paquete (16 onzas o 400 gramos)	12 almejas pequeñas de arroz con azafrán
½ libra (250 gramos) de ostiones	½ libra (240 gramos) de camarones limpios, con o sin cola
1 taza de chícharos dulces	¼ pimiento rojo cortado en cuadros

Lave las almejas tallando minuciosamente y enjuague muy bien. Prepare el arroz en la Arrocera Multi-Usos Oster®, siguiendo las instrucciones del empaque. Añada las almejas, los camarones, ostiones, chícharos y pimiento cinco minutos antes que el arroz se haya cocido. Mezcle bien con movimientos envolventes y sirva con trocitos de pan francés y una ensalada fresca. Opción: Puede sustituirse el arroz con azafrán por una mezcla de arroz integral.

RECETAS

MINISTRÓN MILANÉS

1 lb. (½ kg) de pechuga de pollo	2 dientes de ajo picados
1 cucharada de albahaca	½ taza de apio
½ taza de frijolito fresco	½ cucharadita de tomillo
½ cucharadita de orégano	½ taza de cebollas en rodajas
½ taza de pimientos verdes, picados	½ taza de champiñones, en rebanadas
½ taza de calabacines picados	2 tazas de tomates, en cuadritos sin semilla y sin concha.
3 papas medianas, peladas y en cuadritos	2 cucharaditas de salsa inglesa
1 lb. (½ kg) de fideos canutos	1 taza de queso parmesano
3 cucharadas de margarina	2 litros de agua

Sal al gusto

En la Arrocera Multi-Usos Oster®, verter el agua y hervir el pollo con la sal. Cuando el pollo esté cocido, retirar y cortar en cuadritos. Reservar el caldo. En la Arrocera Multi-Usos Oster®, derretir la margarina, agregar los ajos, la cebolla, el apio, el pimiento, los champiñones, el frijolito y los calabacines. Freír hasta que se ablanden. Agregar los tomates, luego las papas y freír por 5 minutos más. Agregar esta preparación al caldo de pollo, incorporar la salsa inglesa, el bouquet de hierbas (albahaca, tomillo, orégano), sal, pollo y fideos. Dejar cocinar por 10 minutos hasta que las papas estén cocidas pero firmes. Incorporar el queso parmesano revolviendo. Dejar por 2 minutos más. Al servir espolvorear con más queso.

ARROZ CON POLLO

2 lbs. arroz	1 cebolla
3 ají dulce	2 zanahorias
4 dientes de ajo	apio al gusto
4 pechugas de pollo	3 cucharadas de sal
pimienta al gusto	orégano al gusto
caldo de pollo, 1 sobre	pasta de tomate

Se cocina el pollo en agua, sal, pimienta, orégano, caldo de pollo en su Arrocera Multi-Usos Oster®. Al estar listo se deshilacha el pollo en el agua que se cocinó, se hierven el ají, la cebolla, ajo, apio, zanahoria todo bien picadito, 10 minutos de cocimiento, se le agrega pasta de tomate y el pollo deshilachado. Luego de tener la salsa se le agrega al arroz crudo y limpio tapando el arroz un poco más de lo normal.

RECETAS

ENSALADA DE ARROZ CON ATÚN

2 tazas de arroz cocido	2 pimientos en vinagre*
1 lata de atún	3 ½ oz. (100g) de aceitunas verdes
3 huevos duros	Mayonesa
Sal y pimienta	Hojas de lechuga
Aceite de oliva	Vinagre

Cocinar el arroz en la Arrocera Multi-Usos Oster® en la forma tradicional, retirarlo y colocarlo en una fuente hasta que se enfríe totalmente. Cortar los pimientos cocidos en trocitos y los huevos duros en rodajas. Desmenuzar el atún e incorporarlo junto con el resto de los ingredientes al arroz, dejando algunas rodajas de huevo y aceitunas para decorar. Condimentar con aceite de oliva, sal, pimienta y vinagre. Vaciar la ensalada sobre una fuente decorada con hojas de lechuga y adornar con huevos duros y aceitunas.

* **Pimientos en vinagre: lavar y cortar los pimientos por la mitad a lo largo. Quitarle las semillas y ponerlos a cocinar en una cacerola con dos tazas de agua y media taza de vinagre de vino con un poco de sal. Después de 15 minutos, retirar del fuego.**

ARROZ CON LECHE

1 taza de arroz	3 tazas de agua
1 palito de canela	2 clavos de olor
1¾ taza de leche evaporada	1¼ lata de leche condensada
1 cucharadita de ralladura de limón y naranja	½ cup dark raisins
1 cucharadita de vainilla	¼ taza de pisco
1 yema de huevo	Canela en polvo

En la Arrocera Multi-Usos Oster®, poner a hervir el arroz, previamente lavado, con las 3 tazas de agua, el palito de canela y los clavos de olor. Una vez cocido el arroz, agregar los dos tipos de leche, la ralladura y las pasas. Seguir moviendo hasta que tome cuerpo. Incorporar la vainilla, el pisco y la yema de huevo bien batida. Espolvorear con canela y servir.

Garantía Limitada de 1 Año

Sunbeam Products, Inc. operando bajo el nombre de Jarden Consumer Solutions, o en Canadá, Sunbeam Corporation (Canada) Limited operando bajo el nombre de Jarden Consumer Solutions, (en forma conjunta, "JCS"), garantiza que por un período de un año a partir de la fecha de compra, este producto estará libre de defectos de materiales y mano de obra. JCS, a su elección, reparará o reemplazará este producto o cualquier componente del mismo que presente defectos durante el período de garantía. El reemplazo se realizará por un producto o componente nuevo o reparado. Si el producto ya no estuviera disponible, se lo reemplazará por un producto similar de valor igual o superior. Ésta es su garantía exclusiva. No intente reparar o ajustar ninguna función eléctrica o mecánica de este producto. Al hacerlo eliminará ésta garantía.

La garantía es válida para el comprador minorista original a partir de la fecha de compra inicial y la misma no es transferible. Conserve el recibo de compra original. Para solicitar servicio en garantía se requiere presentar un recibo de compra. Los agentes y centros de servicio de JCS o las tiendas minoristas que venden productos de JCS no tienen derecho a alterar, modificar ni cambiar de ningún otro modo los términos y las condiciones de esta garantía.

Esta garantía no cubre el desgaste normal de las piezas ni los daños que se produzcan como resultado de uso negligente o mal uso del producto, uso de voltaje incorrecto o corriente inapropiada, uso contrario a las instrucciones operativas, y desarme, reparación o alteración por parte de un tercero ajeno a JCS o a un Centro de Servicio autorizado por JCS. Asimismo, la garantía no cubre actos fortuitos tales como incendios, inundaciones, huracanes y tornados.

¿Cuál es el límite de responsabilidad de JCS?

JCS no será responsable de daños incidentales o emergentes causados por el incumplimiento de alguna garantía o condición expresa, implícita o legal.

Excepto en la medida en que lo prohíba la ley aplicable, cualquier garantía o condición implícita de comerciabilidad o aptitud para un fin determinado se limita, en cuanto a su duración, al plazo de la garantía antes mencionada.

JCS queda exenta de toda otra garantías, condiciones o manifestaciones, expresa, implícita, legal o de cualquier otra naturaleza.

JCS no será responsable de ningún tipo de daño que resulte de la compra, uso o mal uso del producto, o por la imposibilidad de usar el producto, incluidos los daños incidentales, especiales, emergentes o similares, o la pérdida de ganancias, ni de ningún incumplimiento contractual, sea de una obligación esencial o de otra naturaleza, ni de ningún reclamo iniciado contra el comprador por un tercero.

Algunas provincias, estados o jurisdicciones no permiten la exclusión o limitación de los daños incidentales o emergentes ni las limitaciones a la duración de las garantías implícitas, de modo que es posible que la exclusión o las limitaciones antes mencionadas no se apliquen en su caso.

Esta garantía le otorga derechos legales específicos y es posible que usted tenga otros derechos que varían de un estado, provincia o jurisdicción a otro.

Cómo solicitar el servicio en garantía

En los Estados Unidos.

Si tiene alguna pregunta sobre esta garantía o desea recibir servicio de garantía, llame al 1-800-334-0759 y podrá obtener la dirección del centro de servicio que le resulte más conveniente

En Canadá

Si tiene alguna pregunta sobre esta garantía o desea recibir servicio de garantía, llame al 1-800-334-0759 y podrá obtener la dirección del centro de servicio que le resulte más conveniente

En los Estados Unidos, esta garantía es ofrecida por Sunbeam Products, Inc. operando bajo el nombre de Jarden Consumer Solutions, Boca Ratón, Florida 33431. En Canadá, esta garantía es ofrecida por Sunbeam Corporation (Canada) Limited operando bajo el nombre de Jarden Consumer Solutions, 20 B Hereford Street, Brampton, Ontario L6Y 0M1. Si usted tiene otro problema o reclamo en conexión con este producto, por favor escriba al Departamento de Servicio al Consumidor.

POR FAVOR NO DEVUELVA ESTE PRODUCTO A NINGUNA DE ESTAS DIRECCIONES NI AL LUGAR DE COMPRA